

Lifelike Shunt Arm Simulator Set-up Instructions

Parts Included

- (3) lengths of 1/4" tubing
- Reservoir with Quick Connect connectors
- Pump with Quick Connect connectors
- Zip ties

Assembly

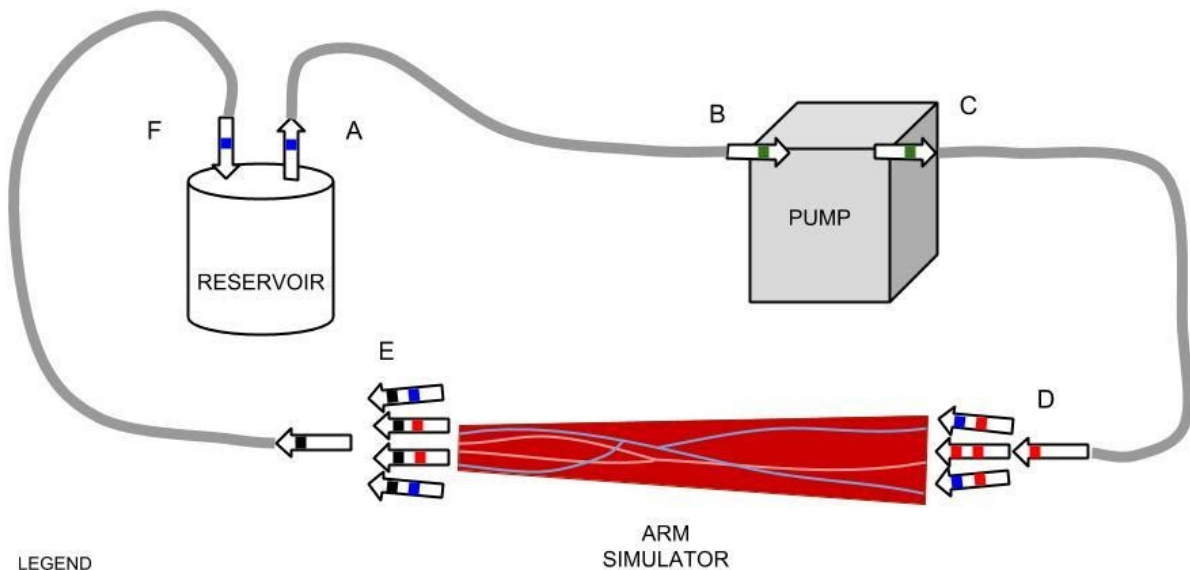
1. Fill the reservoir with water and screw on the lid.
2. Attach the **blue** end of the short piece of tubing to one of the **blue** connectors on the reservoir by pushing the tubing into the connector. Push the tubing in so the grey piece of plastic in the tubing is all the way into the connector.
3. Attach the **green** end of the same tube to the **green** inlet connector on the pump by pushing the tubing into the connector. Push the tubing in so the grey piece of plastic in the tubing is all the way into the connector. If looking at the face of the pump, the inlet connector is on the left.
4. Attach the **green** end of one of the long pieces of tubing to the **green** outlet connector on the pump by pushing the tubing into the connector. Push the tubing in so the grey piece of plastic in the tubing is all the way into the connector. If looking at the face of the pump, the outlet connector is on the right.
5. Attach the **red** end of the same tube to the **red** connector on the triple-split manifold by pushing the tubing into the connector. Push the tubing in so the grey piece of plastic in the tubing is all the way into the connector.
6. Attach the **black** end of the remaining piece of tubing to the **black** of the quadruple-split manifold by pushing the tubing into the connector. Push the tubing in so the grey piece of plastic in the tubing is all the way into the connector.
7. Attach the **blue** end of the same tube to the open **blue** connector on the reservoir.
8. Attach the three connectors from the triple-split manifold to the corresponding vessels in the upper arm part of the simulator. Repeat for the quadruple-split manifold, which is connected at the lower arm part of the simulator.
9. Plug in the pump, turn on, and let water run through the system.

Disassembly

1. Turn off the pump. Loosen the lid on the reservoir slightly. Remove the tube attached to the pump from the reservoir by holding down the grey ring on the outside of the connector while pulling the tubing outwards. Hold tube end in the air so water does not spill out.
2. Turn on the pump and run until water has emptied from the entire system back into the reservoir. Once empty, turn off the pump and unplug.
3. Disconnect the used vessels from the simulator. Cut away the zip ties and remove the connectors.
4. Disconnect all tubing and empty the reservoir.
5. Dry off the simulator before storing.

Diagram

LIFELIKE SHUNT ARM SIMULATOR SET-UP



LEGEND

- A - OUT FROM RESERVOIR
- B - INTO PUMP
- C - OUT FROM PUMP
- D - INTO ARM SIMULATOR
- E - OUT OF ARM SIMULATOR
- F - INTO RESERVOIR